

Vizia RF™ Plug-in Serial Interface Module

The Vizia RF Plug-in Serial Interface Module is a part of Leviton's Vizia RF Wireless Home Control System. These devices combine the popular Vizia family of lighting devices with Z-Wave® award-winning RF-based home control technology to deliver the first line of truly dependable, scalable and practical wireless home control devices that will set the standard for residential control system performance for decades to come.

The Vizia RF Wireless Home Control System provides scalable, easy-to-install, retrofit ready, remote control of appliances and lighting as well as one-button scene and zone lighting control that lets you instantly create the perfect ambiance for any occasion. And, best of all, Vizia RF does all of this without any of the interference and less-than-consistent performance of previous home control systems.

APPLICATION

The Vizia RF Plug-in Serial Interface Module is ideal for any residential setting where a serial interface is required to integrate with other home automation systems. This is done through a RS232 connection with a PC based application used to configure a home automation system. This is ASCII based and requires a high level of programming skill.

FEATURES AND BENEFITS

- Provides RJ11 connector for RS232 or HAI® cable connection
- Rated 120VAC 60Hz
- Two-way communication between related Controller(s) and Module for changes initiated locally
- Protected memory maintains ON/OFF status of connected loads and device ID programming during minor power fluctuations
- Green Locator LED
- Transient surge protection to IEC Level 4
- ESD protection to IEC 1000 4-2 Level 4 to protect against damage and memory loss due to static discharges
- Includes serial cable/Includes HAI connector cable
- Z-Wave® compatible



Vizia RF™ Plug-in Serial Interface Module

Product Specifications

Vizia RF™ Plug-in Serial Interface Module

SPECIFICATIONS

Temperature

Operating: 0°C to 55°C

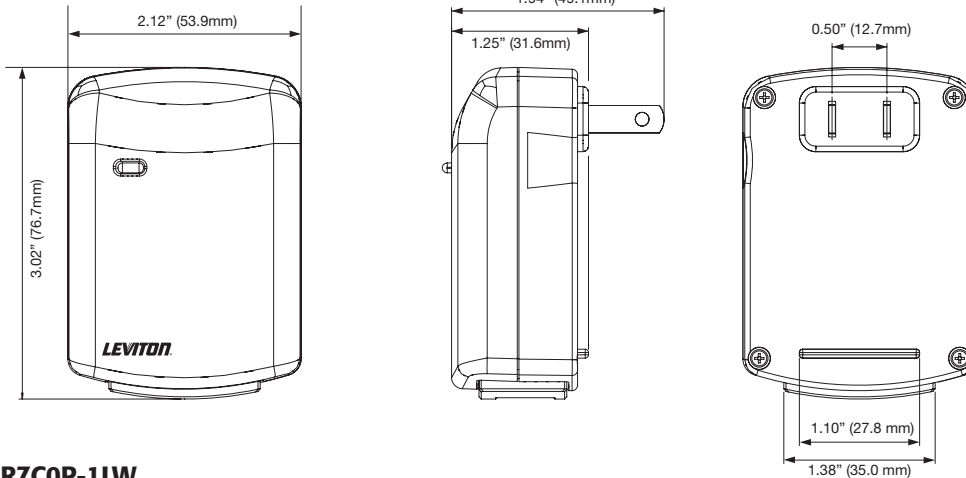
Non-Operating: -10°C to 85°C

Relative Humidity

20% to 90% (non-condensing)

Indoor use only

DIMENSIONAL DRAWINGS



Cat. No. RZCOP-1LW

AGENCY STANDARDS & COMPLIANCE

- UL Listed (File #E66800)
- CSA Certified (File #152105)
- NOM Certified (#057)
- Complies with FCC Part 15, Class B
- Z-Wave Certified

INSTALLATION CONSIDERATIONS

A Z-Wave enabled device must be within 75 feet of another Z-Wave enabled device to participate in a Z-Wave wireless mesh network. Any one plug-in can update no more than five Controller devices.

For ASCII interface code document visit www.viziarf.com/documents

WARRANTY INFORMATION

Five-year limited product warranty

ORDERING INFORMATION

Cat. No.	Description
RZCOP-1LW	Vizia RF Plug-In Serial Interface Module -White Only

Z-Wave is a registered trademark of Zensys® Corporation
HAI is a registered trademark of Home Automation, Inc.



Leviton Manufacturing Co., Inc. 59-25 Little Neck Parkway, Little Neck NY 11362-2591
 Customer Service: 1-800-323-8920 • FAX: 1-800-832-9538 • Tech Line: 1-800-824-3005

Leviton Manufacturing of Canada, Ltd. 165 Hymus Boulevard, Pointe Claire, Quebec H9R 1E9
 Customer Service: 1-800-469-7890 • FAX: 1-800-563-1853

Leviton S. de R.L. de C.V. Lago Tana 43 Mexico DF, Mexico CP 11290 Tel. (+52) 55-5082-1040 www.leviton.com.mx

NOTE: Features and specifications are subject to change.

© 2007 Leviton Manufacturing Co., Inc. All Rights Reserved Patents Pending.

